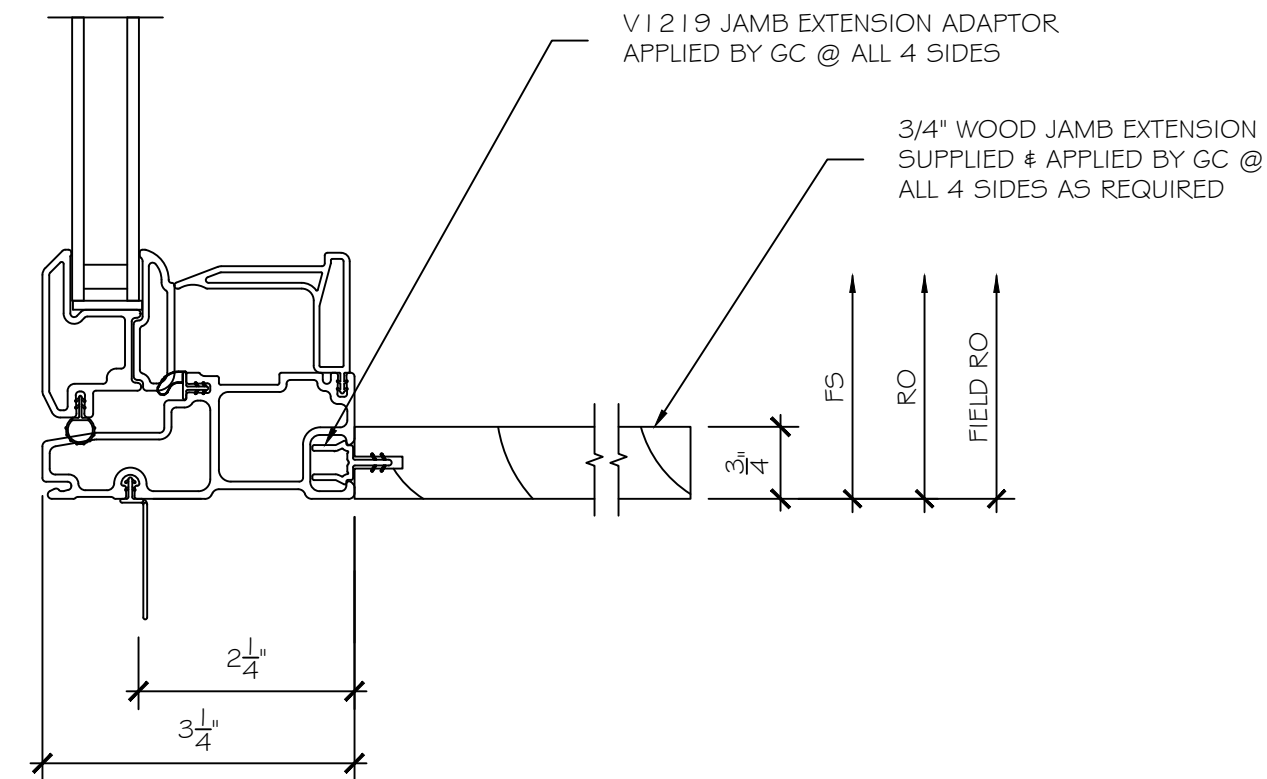
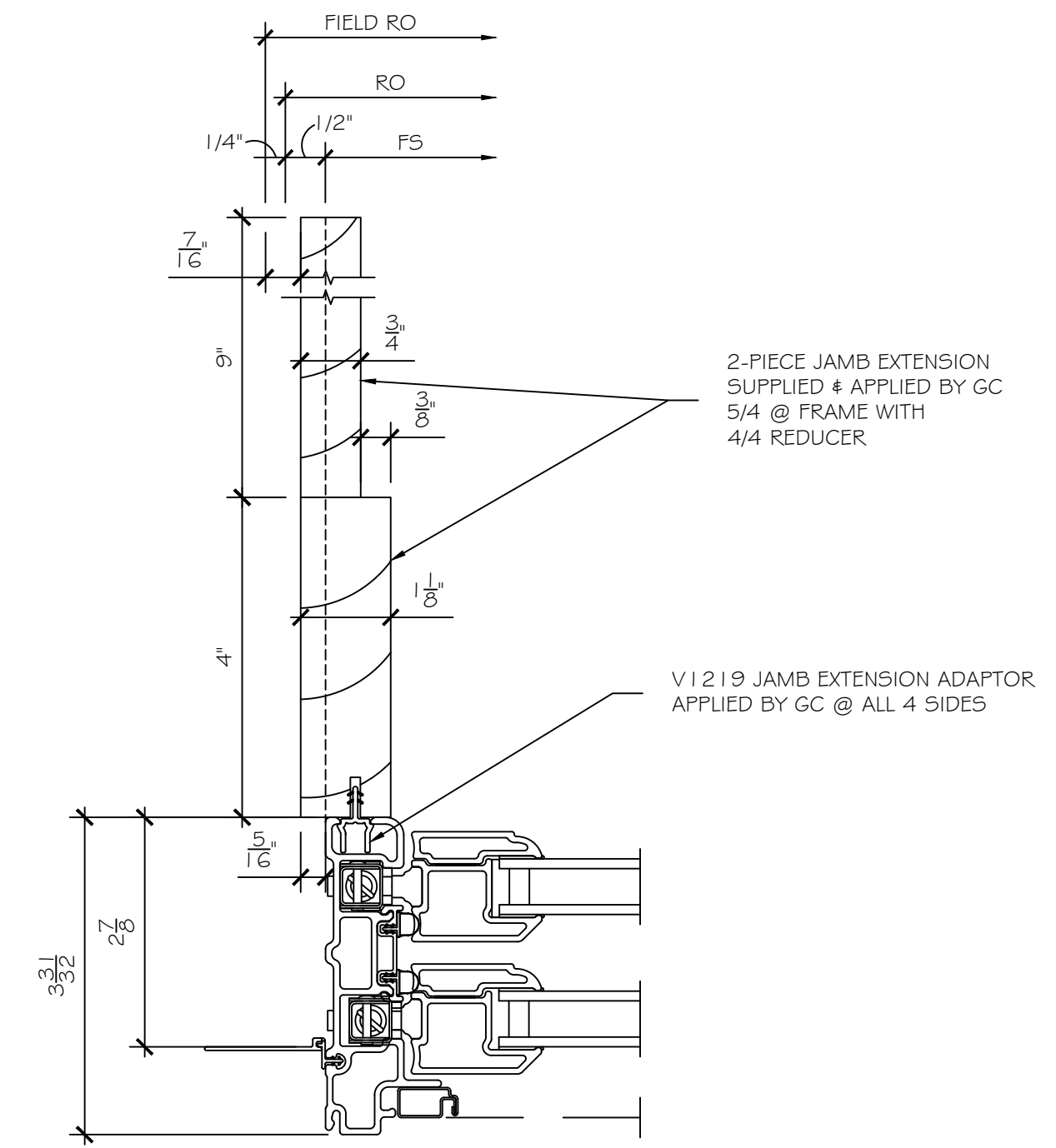


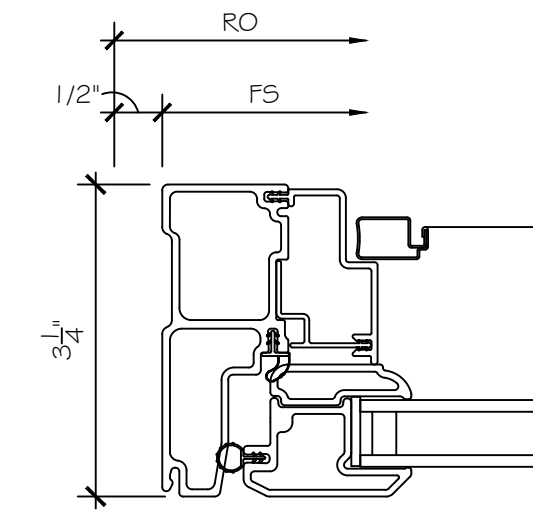
1  
3 NAWNP HEAD JAMB  
SCALE: 6" = 1'-0"



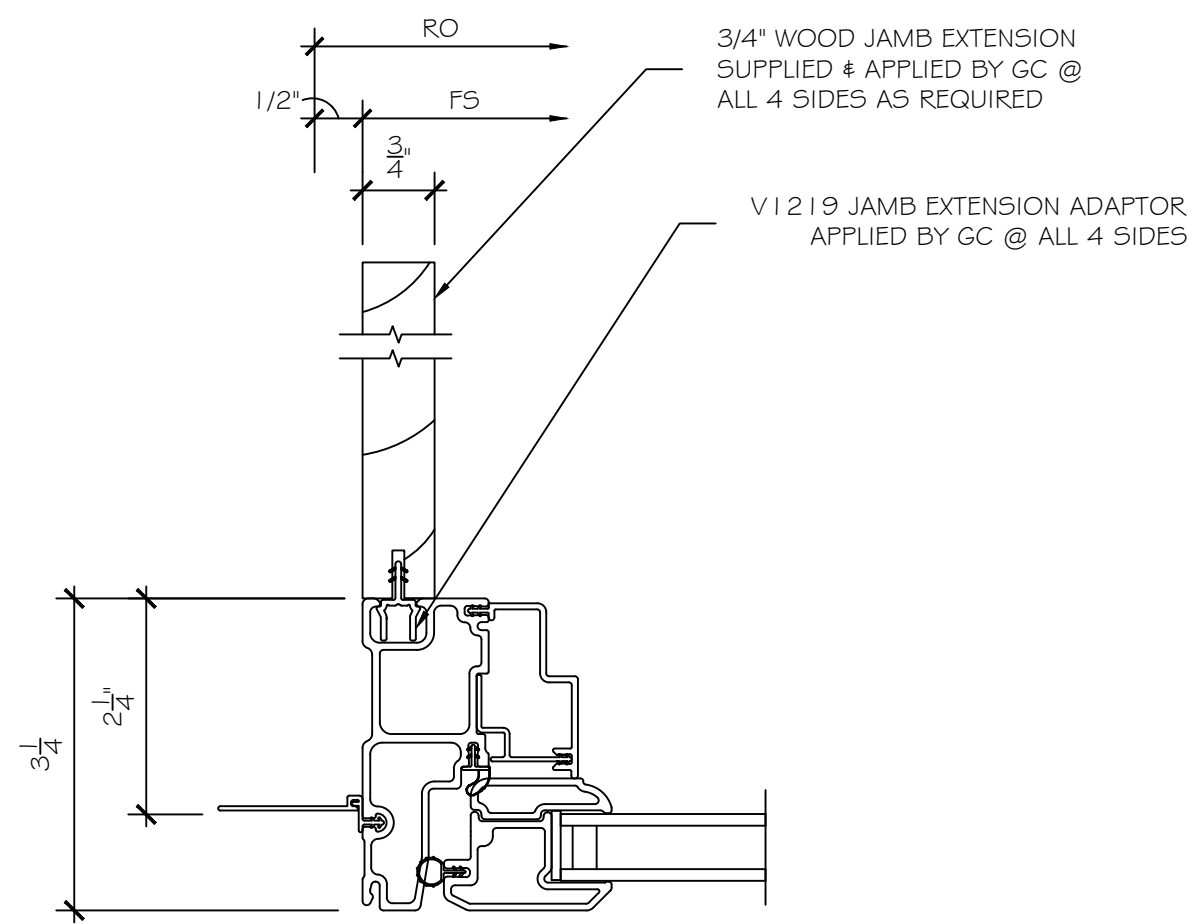
4  
3 NAWNP SILL  
SCALE: 6" = 1'-0"



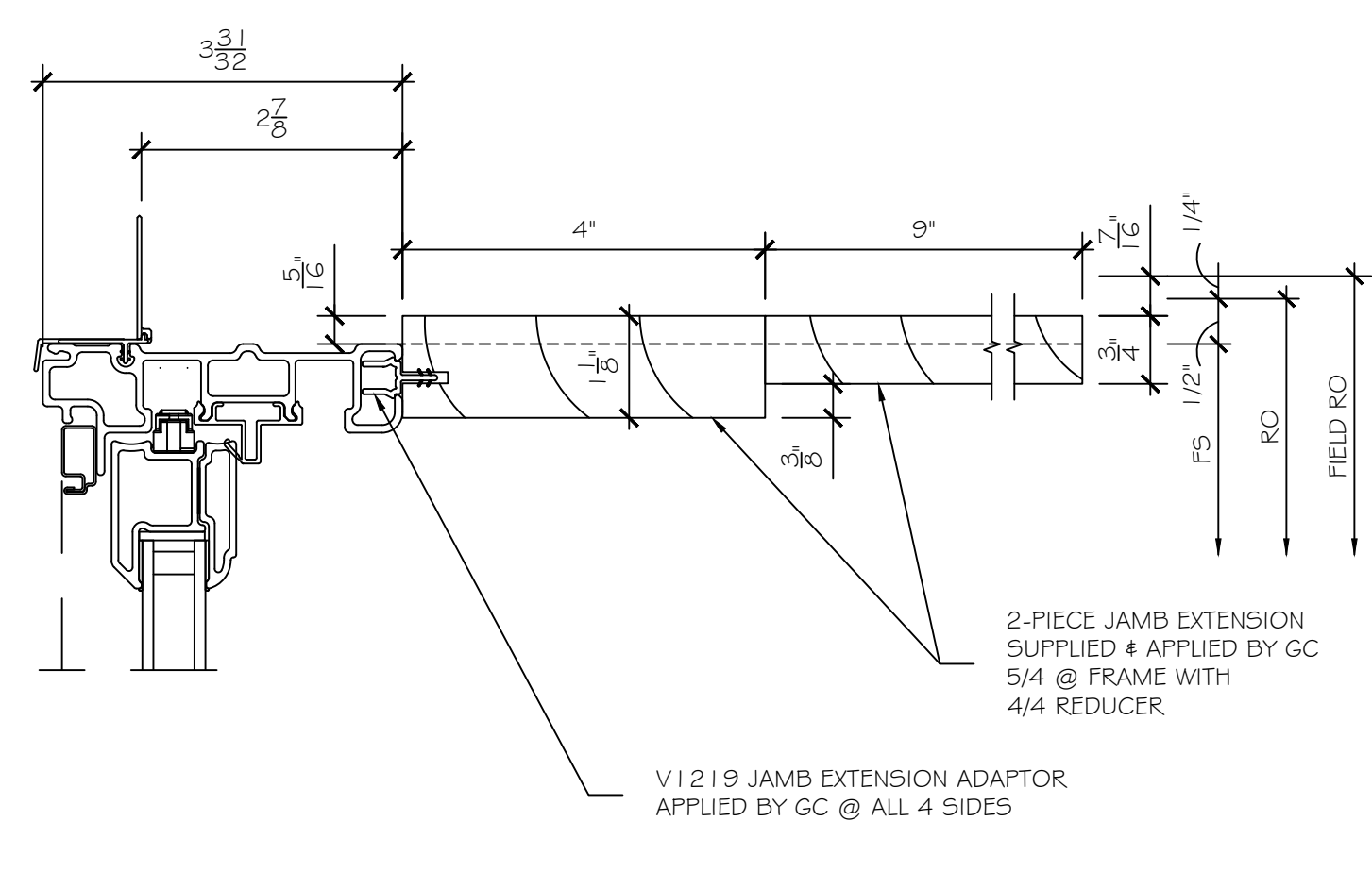
7  
3 NDH LEFT JAMB  
SCALE: 6" = 1'-0"



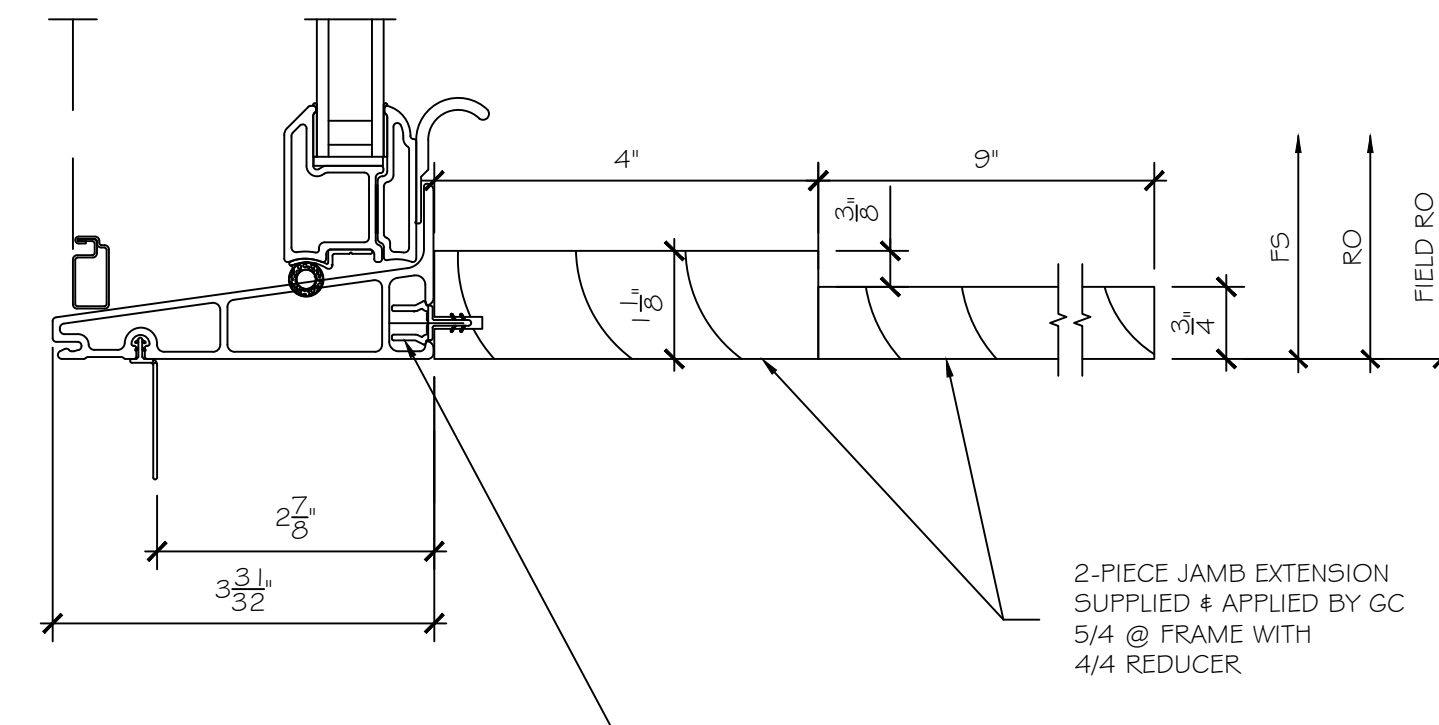
10  
3 NINAW ROTO LEFT JAMB  
SCALE: 6" = 1'-0"



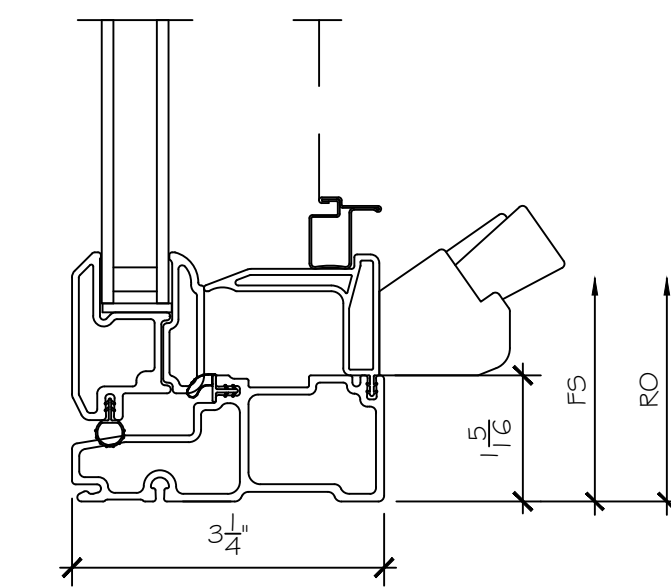
2  
3 NAWNP LEFT JAMB  
SCALE: 6" = 1'-0"



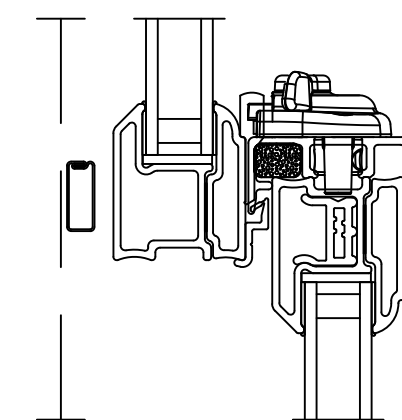
5  
3 NDH HEAD JAMB  
SCALE: 6" = 1'-0"



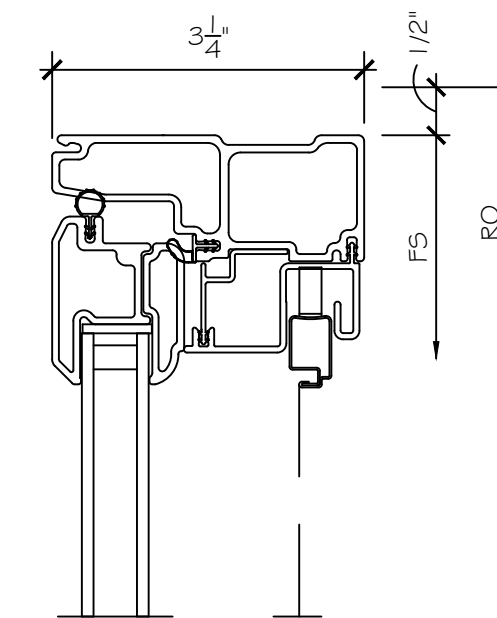
8  
3 NDH SILL JAMB  
SCALE: 6" = 1'-0"



11  
3 NINAW ROTO SILL  
SCALE: 6" = 1'-0"



6  
3 NDH MEETING RAIL  
SCALE: 6" = 1'-0"



9  
3 NINAW ROTO HEAD JAMB  
SCALE: 6" = 1'-0"

PLEASE NOTE: EXACT SIZES, QUANTITIES, DETAILS TO BE CONFIRMED ON FINAL SUBMITTAL

12  
3 NOT USED  
SCALE: 6" = 1'-0"

ORDERING PRODUCTS WITH REFERENCE TO SHOP DRAWINGS: Before ordering the Marvin Window and Door products illustrated within these shop drawings, a copy of these drawings accompanied by an approved signature of the purchaser must be returned to the Architectural Division at Marvin Windows & Doors, P.O. Box 100, Warroad, Minnesota 56763. If the Marvin products included herein are ordered without reference to the approved shop drawings, Marvin Windows and Doors assumes no responsibility in guaranteeing product coordination with the drawings.